

N4X HOUSING

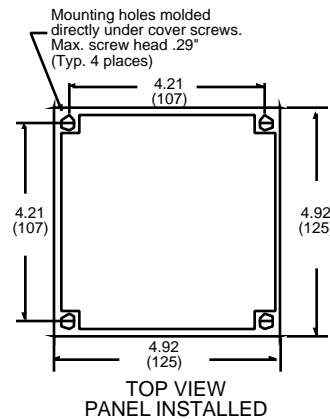
NEMA 4X Housing for 1/8 and 1/16 DIN Size Units



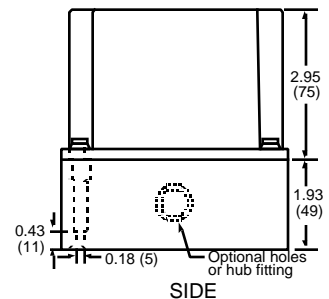
Construction

- Body is impact-resistant polycarbonate
- Covers are impact-resistant polycarbonate
- Polycarbonate is easily punched, drilled, filed, or milled
- Cross-point cover screws are strong, durable polyamide
- Molded internal bosses provided for mounting panels, rails, and other components
- Seamless foam-in-place gasket provides oil-resistant, watertight, and dust-tight seal

Dimensions



To access terminals, remove cover and 4 panel screws.



Ordering Information:

To order this enclosure with your favorite KEP product, simply add the suffix "N4X" to the product part number.

Examples:

MRTA3N4X
CTF5AN4X



KESSLER-ELLIS PRODUCTS 10 Industrial Way East, Eatontown, NJ 07724
800-631-2165 • 732-935-1320 • Fax 732-935-9344 • <http://www.kep.com>