

MS811 - NEMAtrol

NEMA 4X/IP65 Enclosures For 'trol & SUPERtrol Cases

Features

- Compatible with all Standard Size "trol" & SUPERtrol Products
- Meets NEMA 4X/IP65 Specs.
- Quick-Release Latches
- Hinged Cover
- Light Weight



Application:

Ideal for use in most petrochemical plants, sewage plants, food processing areas, packing plants, electroplating plants, etc.

Material:

Cover/Base -	Ultraguard® Fiberglass reinforced polyester (Color RAL 7035)
Fasteners -	304 series stainless steel
Back panel inserts -	Brass
Gasket -	Closed cell neoprene
Mounting Feet -	304 series stainless steel

Test Spec:

Construction meets NEMA/EEMAC Type 1, 2, 3, 4, 4X, 12 & 13
UL® 508 listed; Type 1, 2, 3, 3R, 4, 4X, 12, and 13
CSA-C22 No. 14; Type 1, 2, 3, 3R, 4, 4X, 12, and 13
IEC60529 Type IP66
Compliant with RoHS (Restriction of Hazardous Substances)

Ordering Information

Part Number

MS811-NEMAtrol4X

(NEMA 4X enclosure for all standard 'trol units
7.365" x 2.495" cutout)

MS811-NEMAtrol 4x0 (no cutout)

MS811-NEMAtrol 4x1 (1 cutout)

MS811-NEMAtrol 4x2 (2 cutouts)

MS811-NEMAST4X

(NEMA 4X enclosure for SUPERtrol &
LEVELtrol II series)

MS811-NEMAST 4x1

(1- 5.43" x 2.68" cutout for SUPERtrol series)

MS811-NEMAST 4x2

(2- 5.43" x 2.68" cutout for SUPERtrol series)

Hinge Location

HL - Hinge Left, hinge located to left of mounted unit(s)

HT - Hinge Top, hinge located at top of mounted unit(s)

Options:

A = Assembled by KEP, Product will be mounted in enclosure before shipment.

SP - Sub-Panel (aluminum)

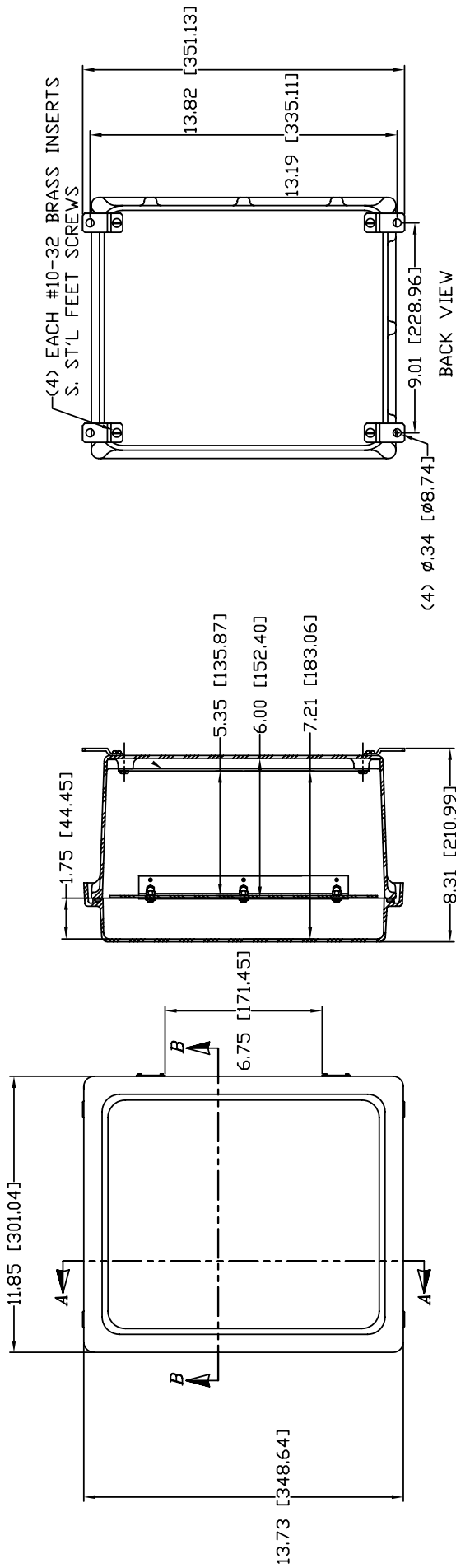
DR1 - Single DIN Rail Installed for accessory mounting

SW - Power Disconnect Switch

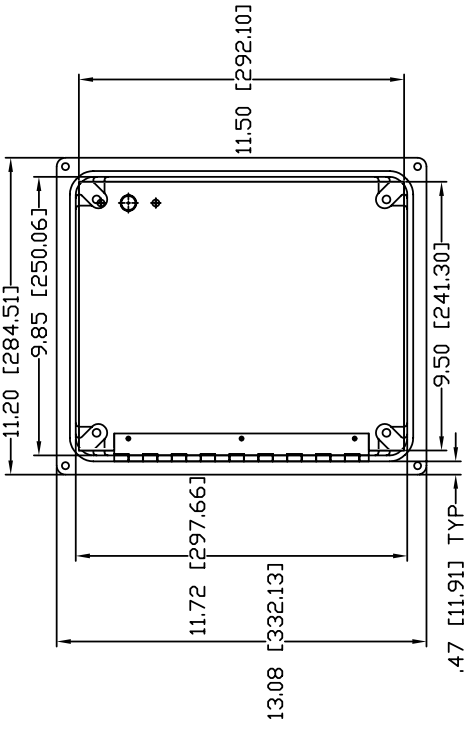
TB - Terminal Block

PW - Internal Pre-wired by KEP

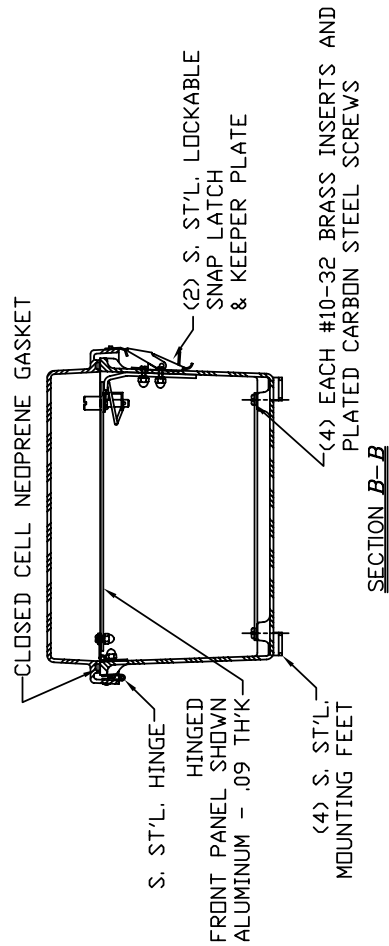
Consult factory for custom conduit hole and hub fitting options



SECTION A-A



FRONT VIEW WITH LID REMOVED



MATERIAL:
 BOX - COMPRESSION MOLDED FIBERGLASS REINFORCED POLYESTER
 COVER - COMPRESSION MOLDED FIBERGLASS REINFORCED POLYESTER
 WINDOWS - POLYCARBONATE